

Minuteman[®]

Handle Installation for 290 Tank

(Numbers in () refer to picture number and part number)

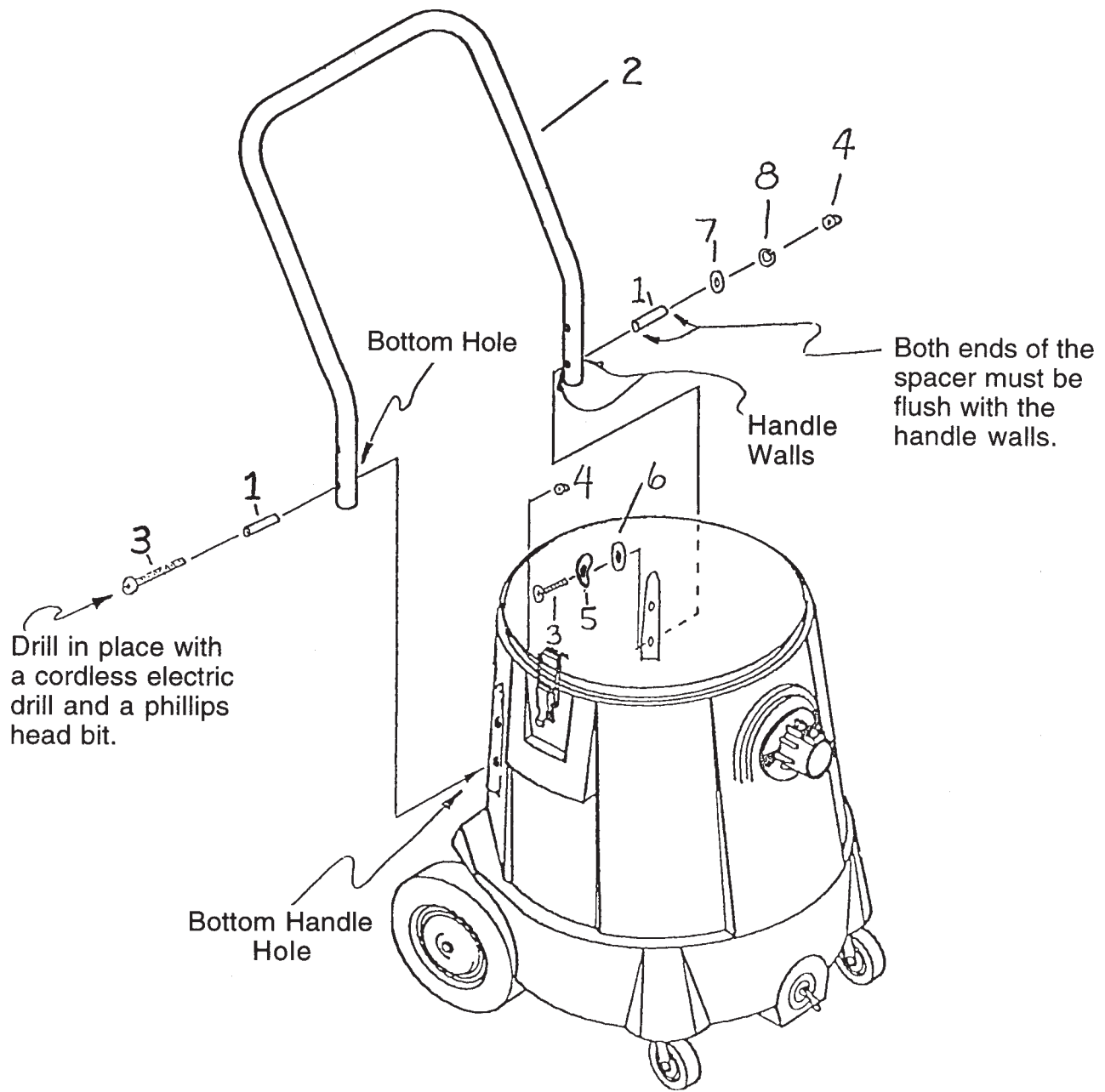
1. Insert (1) spacer (762399) into the bottom hole on the side of the (2) handle (390031). Be sure the ends of the spacer are flush with the sides of the handle.
2. Insert (3) screw (712570) through the bottom handle hole & spacer. Insert screw until its threaded end is flush with the end of the spacer and the side of the handle.
3. Align threaded end of the screw with the bottom handle hole on the tank.
4. Thread the screw through the tank hole with a cordless drill and a phillips bit (A hand phillips screwdriver will work as well.) Hand tighten an (4) acorn nut (712510) onto the screw.
5. Prepare the remaining (3) three screws (712570) by placing a (5) curved washer (712761) and then a (6) rubber gasket (828980) over the end of the (3) screw (712570).
6. Insert a (1) spacer (762399) through the bottom handle hole opposite the hole with the retaining screw in it. The spacer ends must be flush with the handle walls.
7. Thread a screw/washer/gasket assembly (712570/712761/828980) through the inside of the tank handle hole and into the spacer.
8. While holding the spacer in place with a fingertip over the outside end, drive the screw the rest of the way through the tank wall and through the spacer. Use a cordless drill and phillips bit. (A hand phillips screwdriver will work as well.)
9. Place a (7) flatwasher (711505) and then a (8) lockwasher (711544) over the end of the exposed threads.
10. Hand tighten an (4) acorn nut (712510) on the screw end.
11. Repeat steps 6-10 for the remaining two bolts.
12. Remove the first retaining screw and repeat steps 5-10.
13. Tighten all four of the acorn nuts into place.

Minuteman[®]

World Headquarters
Minuteman International, Inc.
111 South Rohlwing Road
Addison, Illinois 60101
(630) 627-6900
FAX (630) 627-1130

Minuteman Canada, Inc.
2210 Drew Road
Mississauga, Ontario
L5S 1B1
(905) 673-3222
FAX (905) 673-5161

988387
Printed in U.S.A.



PARTS LIST

Item	Part Number	Description
1	762399	Bushing .25 x .37.1
2	390031	Handle Plated, 390 Series
3	712570	SCR-MC 1/4-20 x 175 SS
4	711352	WSR-Flat .50 x 1.37 x 10
5	712761	Washer Special Curved
6	828980	Gasket
7	711505	Washer Flat 1/4
8	711544	WSR-Helical 1/4